

Dynamax Rifle Instructions

IMPORTANT: Please read these instructions before first using your rifle.

GAMO
Adult Precision Airguns



Gun Safety

- Make sure you know the laws relating to airguns, and abide by them.
- When you pick up any gun always check that it is not loaded.
- Never point a gun at anyone or anything that is not a legitimate target.
- Never leave your rifle unattended, even if it's unloaded.
- Gun safety is a state of mind; never rely on a safety catch.
- After use, put your rifle away safely; unloaded and out of reach of children. Store your pellets separately.
- Always ensure it is safe to shoot and be certain of your target before you squeeze the trigger.
- Make sure there is a safe backstop behind your target to catch your pellet in case you miss.
- Beware of ricochets – do not shoot at water or other smooth surfaces that may deflect the pellet in a different direction.
- Always unload your gun when crossing obstacles, taking it indoors or into a car.
- When carrying your rifle, be sure the muzzle is always pointing in a safe direction in case you should stumble.
- Never shoot on land without written permission from the owner.

WARNING Do not brandish or display this airgun in public – it may confuse people and may be a crime. Police and others may think it is a firearm. Do not change the coloration and markings to make it look more like a firearm. That is dangerous and may be a crime.

Technical Information

All Gamo pcp airguns are made to the highest standards at our factory in Birmingham. The barrels are cold hammer forged and crowned for optimum accuracy.

Using Compressed Air

WARNING Use only compressed air in this airgun. Use no other gasses—including oxygen, which can cause a fire or explosion that may result in serious injury or death.

Never try to fill your gun with air when the rifle is in a partially assembled state.

The DynaMax can be filled from an air tank or using a hand pump. Whichever equipment is used, a pressure gauge and supply hose bleed device must be included, and the manufacturers' instructions must always be followed.

Telescopic Sights

The Gamo DynaMax has a full length integral 10.8mm dovetailed scope rail designed to accept standard scope mounts and night vision equipment. Refer to the scope manufacturer's instructions on fitting and adjusting.

WARNING This airgun is recommended for adult use only. Careless use may result in serious injury or death. Dangerous within 242 yards (221.28 meters).

WARNING This is not a toy. Failure to follow the safety rules outlined below can result in serious bodily injury or death.

WARNING These guns are recommended for adult use only. This product is not recommended for unsupervised use by those under 16 years of age. This product is designed to handle and function like a rifle. Do not carry or use this product in any situation where it might be mistaken for a firearm.

Filling the rifle with air

The maximum filling pressure for the Gamo Dynamax is 232 BAR. Do not over charge the rifle as this may be dangerous. Doing so will reduce the power and can damage the rifle.

A filling adaptor is supplied with each rifle; this has a restrictor screw supplied which must be screwed tightly in place, to reduce the air flow when using an air tank to fill the gun, or the rifle could be damaged. If using a hand pump the restrictor screw should be loosened or removed using the Allen key provided

- Before filling, always ensure the gun is unloaded and the safety catch is on.
- Unscrew the end cap from the front of the air reservoir.
- If the air reservoir is empty, cock the rifle
- Insert the filling adaptor into the filling port, and push it home.
- Make sure the bleed screw on the charging unit is closed, and then open the air bottle valve slowly.
- Slowly fill the gun to the maximum recommended charge pressure, and close the valve. Allow a few minutes for the pressure to settle, and then, if needed, top up the pressure in the gun, and close the valve again.
- Quickly open the air bleed valve on the charging unit to allow the air in the hose to escape.

WARNING Disconnecting the fill hose from the airgun without bleeding the air first may result in injury from hose whip as a result of pressure in the fill hose.

- Pull the filling adaptor from the filling port and replace the end cap.
- Remember that your rifle may be cocked, if it is you should de-cock it immediately for safety reasons.
- To de-cock your rifle, push the cocking knob in and hold firmly, pull trigger and slowly release the knob until it is back in the rest position.

Regularly check the condition of the filling probe "O" rings and apply a little Molycote 111 grease. Only use this grease on the "O" rings as automotive mineral oils and grease can cause an explosion if used with high-pressure air.

Loading the DynaMax

⚠ WARNING Use only the correct caliber pellets in your airgun.

Never reuse ammunition. Use of any other ammunition can cause injury to you or damage your airgun.

- Apply the safety catch and push the magazine retaining catch forward.
- Push down the probe release catch on the right hand side of the action then remove the magazine from the gun.
- Hold the magazine between finger and thumb with the cover plate screw uppermost. Push a pellet nose first into the first magazine chamber and press down until the pellet skirt is under the cover plate (see Fig 1).
- Rotate the central body of the magazine counter-clockwise until the next vacant position lines up with the hole in the cover plate. Insert another pellet and repeat the procedure until the magazine is full (see Fig 2).
- The red dot on the magazine body will be at the top when all ten pellets are loaded.
- At any stage during loading, the magazine body can be moved back one position by pressing the escapement mechanism lever (see Fig 3).
- Replace the magazine in the rifle (see Fig 4) and push the retaining catch back to lock the magazine in place, push the pellet probe forward until the release catch pops up and take off the safety catch. The rifle is now ready to fire.
- When the tenth and final pellet has been indexed into position, a red spot will appear on the magazine rotor when the probe is withdrawn, push the probe forward and fire the last shot, then remove and reload the magazine.

Note: The magazine is factory filled with lubricating grease. Take care to avoid contamination with dirt or grit and always carry magazines in a sealed plastic bag. Do not take the magazines to pieces, or remove this grease.

⚠ WARNING NEVER MODIFY OR ALTER YOUR GAMO AIR RIFLE. MODIFICATION OF THE GUN MAY CAUSE IT TO MALFUNCTION AND TAMPERING WITH THE GUN MAY MAKE IT UNSAFE.



Care and Maintenance

After use, check that your rifle is unloaded and wipe the metal and woodwork surfaces with a lightly oiled cloth. Pay special attention to the metal finishes as these are not fully rustproof and are vulnerable to damp and particularly perspiration. If your rifle has become damp, make sure it is completely dry before you put it away.

If the rifle has been unused for some time the bolt may not release on its own when the probe release catch is depressed, this is because the bolt probe "O" ring is gripping the barrel. If this happens depress the catch and gently ease the probe back. Once free, put a tiny smear of Molycot grease on the "O" ring, and work it back and forth a few times.

Never use oils containing silicone as they can cause damage to metal surfaces. Application of oil and grease except as directed by the manufacturer can often do more harm than good.

⚠ WARNING Use of petroleum-based lubricants in this area could result in an explosion resulting in personal injury.

Your rifle has been designed and manufactured for optimum performance. Tampering with the components, or unauthorised modifications and alterations may make the rifle unsafe to use and will invalidate the

Trigger Adjustment

Always ensure that your gun is not cocked or loaded before adjusting the trigger. In the interests of safety, take care not to over-lighten the trigger weight.

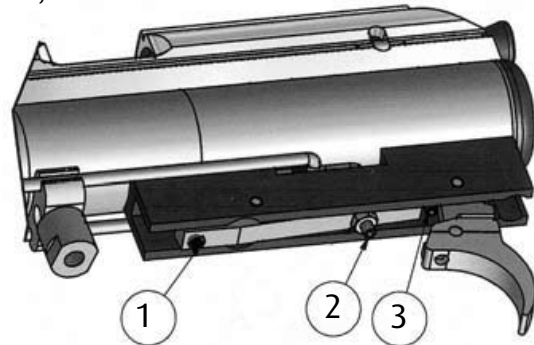
The trigger is set at the factory, but some aspects can be adjusted to suit individual preferences.

1. Trigger pull. This screw adjusts the weight of second stage trigger pull, to increase the weight of pull turn the screw clockwise and counter-clockwise to reduce the weight of pull.

2. Sear engagement screw. This screw determines the length of the second stage release. Should you wish to adjust the length of the second stage release, slacken off the locknut and adjust the screw the desired amount. Turning the screw clockwise reduces the second stage release; turning it counter-clockwise increases the second stage release.

⚠ WARNING GREAT CARE SHOULD BE TAKEN IN THE ADJUSTMENT OF THIS SCREW. ANY EXCESSIVE CLOCKWISE TURN COULD RENDER THE GUN IN A CONDITION IN WHICH IT COULD FIRE ACCIDENTALLY. IF IN ANY DOUBT CONSULT A QUALIFIED GUNSMITH

3. First stage trigger adjustment, this is factory preset and must not be adjusted.



⚠ WARNING THE USE OF INCORRECT PROJECTILES MAY NOT BE SAFE. DO NOT REUSE AMMUNITION FOR ANY REASON.

⚠ WARNING LEAD AIRGUN AMMUNITION CONTAINS A CHEMICAL KNOWN TO THE STATE OF CALIFORNIA TO CAUSE CANCER AND BIRTH DEFECTS (OR OTHER REPRODUCTIVE HARM). DO NOT INHALE DUST OR PUT PELLETS IN MOUTH. WASH HANDS AFTER HANDLING.

⚠ WARNING ANY CHANGE IN PERFORMANCE, SUCH AS LOWERED TRIGGER FORCE AND SHORTENED TRIGGER TRAVEL, INDICATES POSSIBLE WEAR, AND SUCH GUNS SHOULD BE INSPECTED, REPLACED, OR PROPERLY REPAIRED. REPAIRS SHOULD ONLY BE PERFORMED BY QUALIFIED PERSONNEL.

⚠ WARNING CHECK ANY GUN THAT HAS BEEN DROPPED TO ENSURE ITS FUNCTION HAS NOT BEEN ALTERED.

warranty. All air rifles require periodic maintenance and inspection, so even if everything seems to be in good working order, have your air rifle checked periodically by a competent gunsmith. You should always have the power of your air rifle re-checked following any maintenance or repair work as any repairs or adjustments could affect the power. It is your legal responsibility to make sure the air rifle remains below the legal limit.

⚠ WARNING Do not attempt to repair or to disassemble to correct an over fill or valve lock. Parts can fly from the airgun at dangerous speeds when it is disassembled while pressurized.

The rifle's air reservoir must always be kept in good condition. If any damage occurs, for example, denting, exposure to extreme temperatures or rust, the gun should be inspected by the manufacturer, or their appointed agent. The internal bore of the air cylinder must be inspected for corrosion periodically; which should not exceed 5 year intervals.